

# AUTO CHARGE<sup>®</sup> D PUMP PLUS

DESIGNED EXPRESSLY FOR DDEC POWERED VEHICLES



MODEL # 091-9-DPP

The Auto Charge D Pump Plus battery charger is designed especially for vehicles with a DDEC engine control and a separate engine battery. These vehicles have a unique problem. The vehicle may have a number of batteries connected in parallel in order to obtain sufficient capacity for the electrical loads. The engine usually has only a single battery, isolated from the vehicle battery and dedicated to powering the engine electronic controls. This configuration requires complete isolation between the chargers and automatic charging of both batteries. Also, a high capacity charger is required for the vehicle while only a small amount of charge is required to maintain the engine battery. A 5 Amp Battery Saver is provided to power rechargeable hand lights or other accessories. The Battery Saver automatically disconnects these accessory loads from the battery and powers them from an internal power supply. This removes the accessory loads from the battery during charging.

A Selector Switch is provided on the charger to operate the compressor either in D.C. mode or in A.C. mode. In either switch position the compressor operates from the vehicle's battery. When "D.C." is selected, the compressor operates whenever the pressure switch senses low system pressure. This is useful when parking the vehicle away from the 110 volt input power. For those operators who wish to limit compressor operation to the times when the shoreline is connected to the vehicle, the Selector Switch should be placed in the "A.C." position. This will operate the compressor when the A.C. power is available, but shuts off the compressor when the shoreline is removed.

**25 AMPS FOR CHARGING VEHICLE BATTERIES**

**3 AMPS FOR ENGINE BATTERY**

**5 AMPS FOR BATTERY SAVER**

**AUTOMATICALLY CHARGES DUAL BANKS OF BATTERIES**

**ELECTRONIC REMOTE BATTERY SENSING**

**ABSOLUTELY NO INTERACTION BETWEEN THE TWO SYSTEMS**

**3 YEAR WARRANTY**

#### SPECIFICATIONS:

**Input:** 120 Vac, 50/60 Hz, 8 Amps Max

**Input Fuse:** 12 Amps, Fast Acting

**Output:** Vehicle Battery - 12 Vdc, 25 Amp  
Engine Battery - 12 Vdc, 3 Amps

**Battery Saver:** 12 Vdc, 5 Amps

**Output Fuse (Recommended):**

Vehicle Battery - 50 Amps

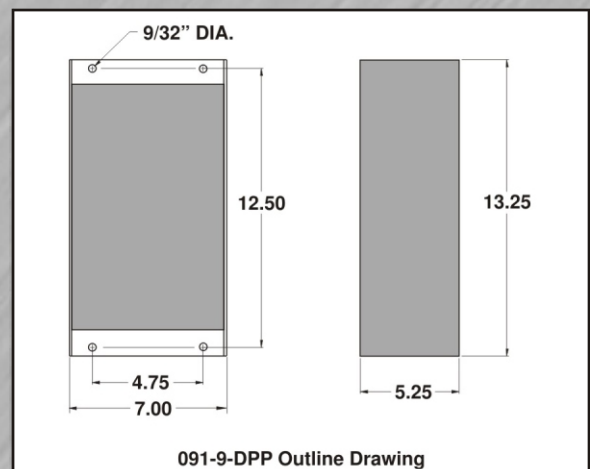
Engine Battery - 6 Amps

**Power Indicator:** Indicates Input Power Applied

**Battery Saver Overload Indicator:** Indicates  
Battery Saver Exceeded 5 Amps

**Weight:** 27 lbs.

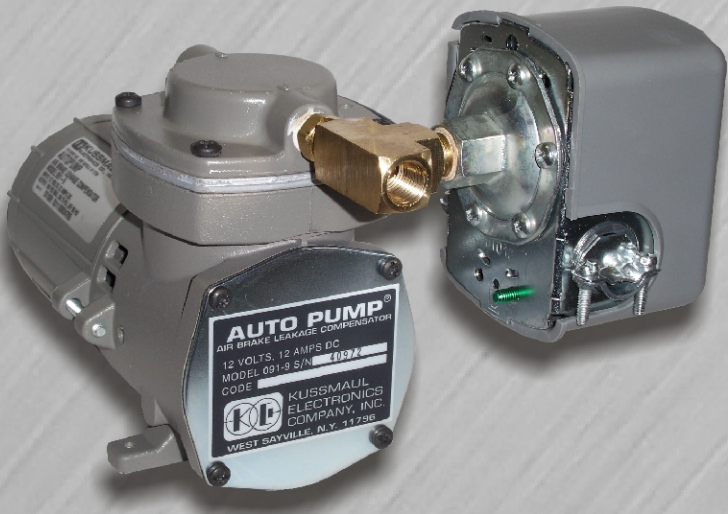
**Warranty:** 3 Years



**KE KUSSMAUL<sup>™</sup> ELECTRONICS**  
ENERGIZED AND READY, WHEN SECONDS COUNT

# AUTO PUMP® 12 VOLT

## AIR BRAKE LEAKAGE COMPENSATOR



MODEL # 091-9

The 12 Volt Auto Pump is a small air compressor designed to mount on vehicles with air brakes to maintain the air pressure in the air brake system while the vehicle is not in use. A pressure switch senses when the system pressure drops and starts the compressor which then runs until pressure is restored. All ball bearing construction, lubricated for life, assures reliable operation and requires no servicing.

### SPECIFICATIONS:

**Input:** 12 Vdc @ 12 Amps Max

**Output:** .30 SCFM @ 80 PSI  
.35 SCFM @ 60 PSI

**Motor Type:** Perm. Magnet .10 HP

**Pressure Switch:** Adjustable Set-Point, Factory set to 75 PSI Cut-In, 95 PSI Cut-Out

**Weight:** 7 lbs

**Warranty:** 1 Year



ENERGIZED AND READY, WHEN SECONDS COUNT

**100 PSI MAX**

**MAINTAINS AIR PRESSURE IN THE VEHICLE BRAKE SYSTEM**

**COMPLETELY AUTOMATIC OPERATION CONTROLLED BY INTEGRAL PRESSURE SWITCH**

**NO INTERFERENCE WITH OPERATION OF THE ENGINE MOUNTED AIR COMPRESSOR**

**SMALL SIZE, MOUNTS IN ANY DRY LOCATION**

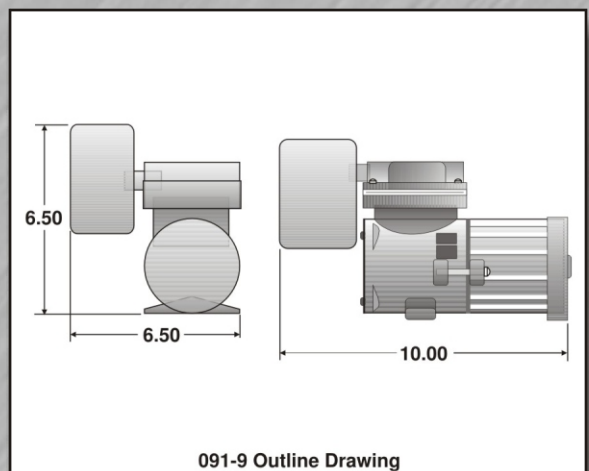
**1 YEAR WARRANTY**

### OPTIONAL ACCESSORY



Model 091-9H

This unit provides a soft mount for the Auto Pump 12 Volt. The mounting plate reduces vibration, and simplifies Auto Pump Installation.



091-9 Outline Drawing